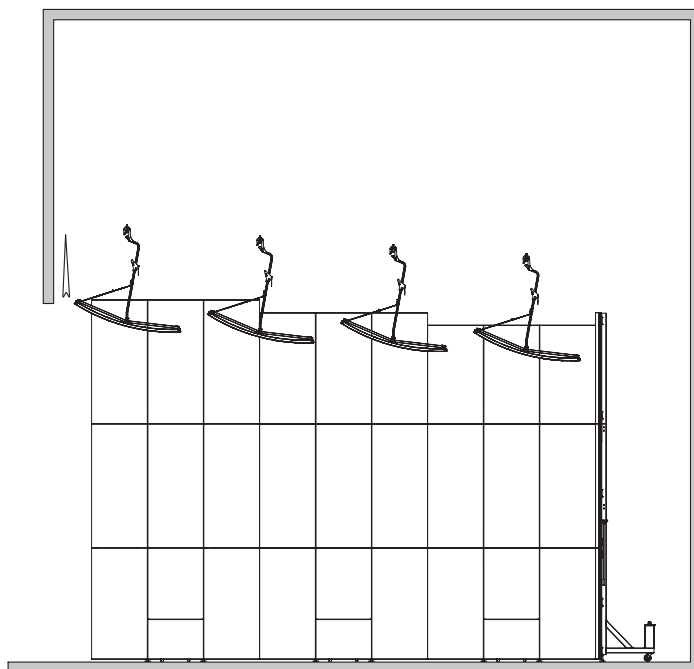
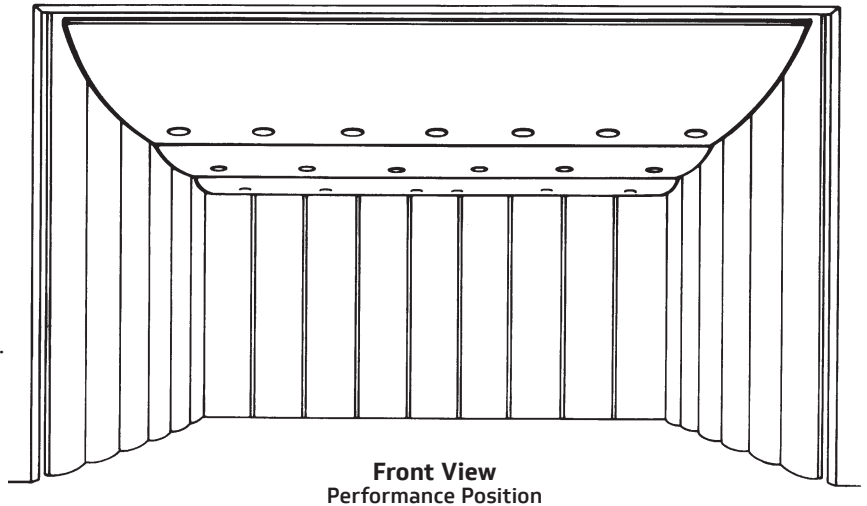


# Maestro® Acoustical Shell

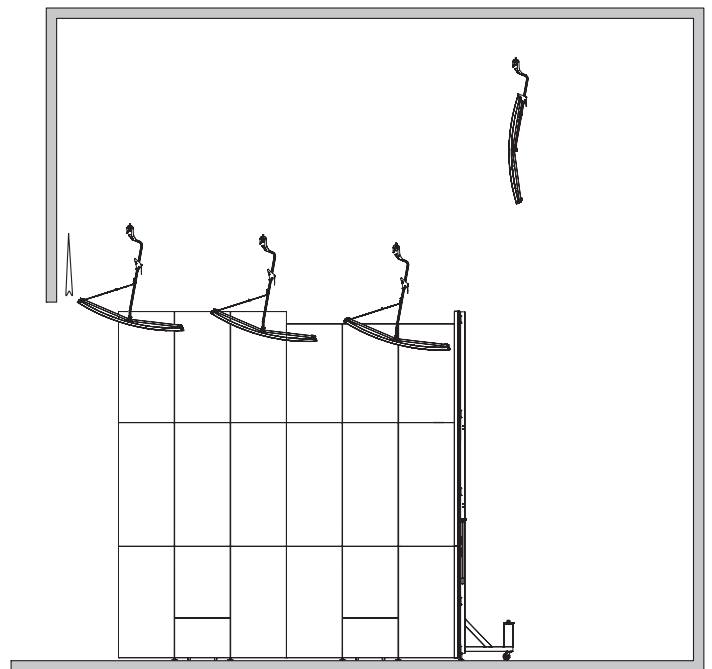
- The cost-effective solution for any performance space requiring an acoustical enhancement
- Mobile towers and rows of ceiling panels form a full stage acoustic enclosure when placed together on stage
- Separate wheeled mover easily lifts and moves the towers
- Towers nest for storage backstage, ceiling panels rotate and hang from rigging and are stored in fly-loft
- Panels are constructed with black aluminum edging, a rigid honeycomb interior and a hard panel skin for superior sound quality and durability
- Finishes available include:
  - Low pressure laminate selected from standard Wenger options
  - Wilsonart® high pressure laminate
  - Hardwood veneer stained and finished to match space requirements
  - Painted panels with Sherwin-Williams® Kem® aqua painted finish

The component nature of the Maestro Acoustic Shell allows different configurations to be created by using different numbers of towers and ceiling panels.

For instance, fewer towers and ceiling rows can be used to create a smaller shell for chamber music or choral performances.



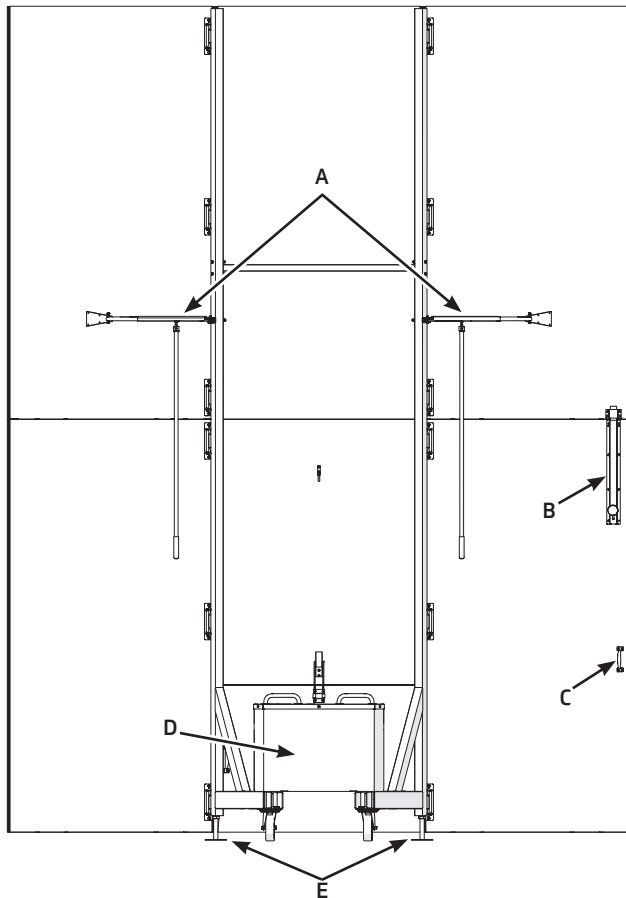
**Side View**  
Full Set of Towers and Ceiling Panels Used for a Full Ensemble



**Side View**  
Fewer Towers and Ceiling Panels Used for a Smaller Ensemble

## Towers

- All towers feature panels with an 8' (2438 mm) radius curve
- Each tower consists of one center panel and two adjustable wing panels
- Towers are available in heights from 16' (4877 mm) to 32' (9754 mm)
- Lower wing panels can be used as a door as required
- Double doors allow access of large equipment, including concert grand pianos
- Framework of towers and base are constructed of steel weldments
- Diagonal bracing between the tower frame and the base distributes weight over several areas of the tower assembly
- Each tower is equipped with a counterweighted base assembly for stability
- A telescoping wing-stay locks tower wings in performance or storage positions
- Steel hinges incorporate bronze bearings
- Each tower incorporates leveling adjustment mechanisms
- Two-year warranty



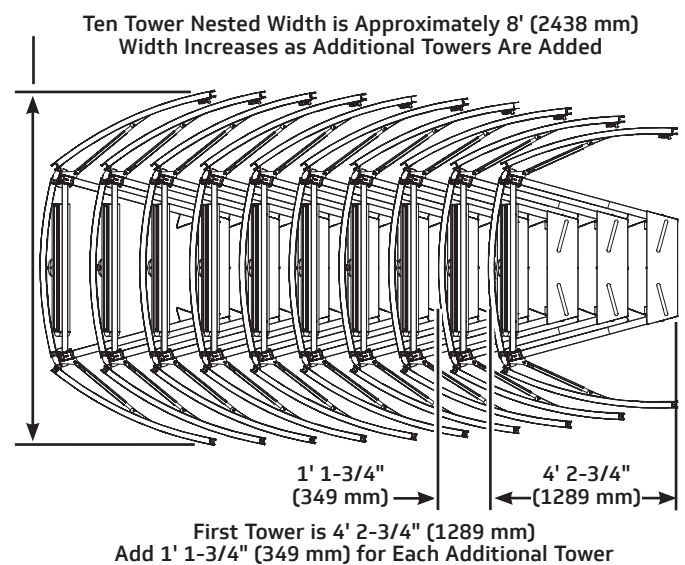
### Back View

Telescoping wing-stays lock wings into performance and storage positions (A).

The door lock (B) and door handle (C).

The counterweighted base (D) provides shell stability when the shell is stationary or being moved on stage.

The shell rests on leveling pads (E) for uniform set-up on uneven floors.



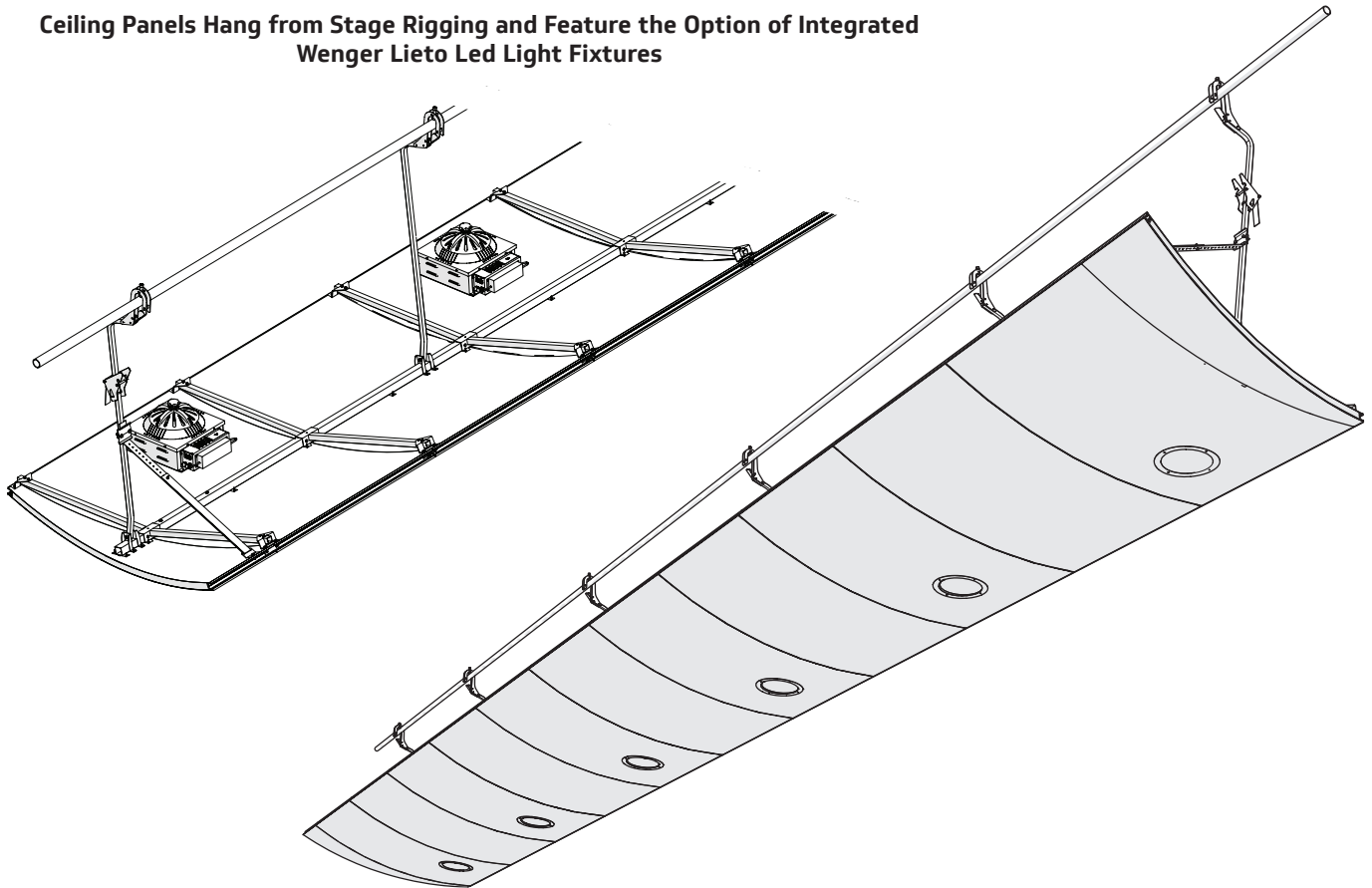
### Top View

Showing how Maestro Towers nest together in the storage position, minimizing required storage space.

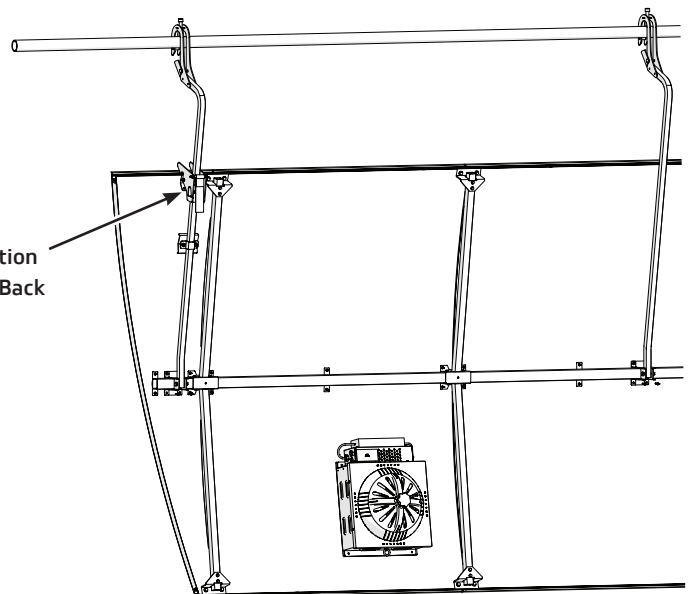
## Ceiling Panels

- Have an 10' (3048 mm) radius curve and is available in various single curved configurations
- Store easily in rigging fly loft for storage and are adjustable in the performance position; no tools are required to tilt ceilings
- Store in a vertical position, and rotate to pre-set, adjustable performance angles
- Require as few as two people to deploy
- Hang from stage rigging pipe battens
- Ceiling storage profile can be as little as 1'-4" (406 mm)
- Optional integrated Wenger Lieto™ LED light fixtures are available and feature tilt switches that make storing the ceilings easy; lighting will not turn on while ceilings are in storage
- Lighted ceiling panels feature an ETL classified electrical system
- Two-year warranty

### Ceiling Panels Hang from Stage Rigging and Feature the Option of Integrated Wenger Lieto Led Light Fixtures

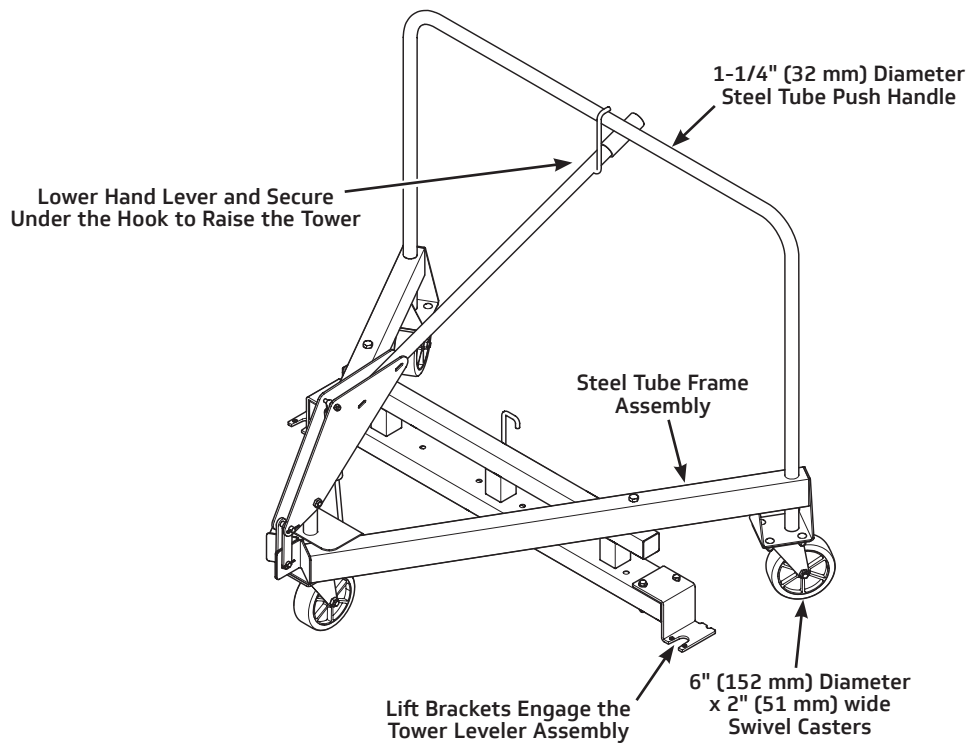


Ceiling Panels Easily Tilt into Storage Position  
Adjustable Presets Allow Panels to Rotate Back to Exact Performance Angles



## Wheeled Mover

- Moves the tower easily in any direction, so it is easier to position
- Two-year warranty



Wenger®

JRCLANCY

GEARBOSS®

© 2024 Wenger Corporation  
USA/2024-03

**Minnesota Location** Wenger Phone 800.4WENGER (493-6437) Wenger Worldwide +1.507.455.4100 | Parts & Service 800.887.7145 | wengercorp.com

GearBoss Phone 800.493.6437 | gearboss.com  
555 Park Drive, PO Box 448 | Owatonna | MN 55060

**New York Location**

J.R. Clancy Phone 800.836.1885 JR Clancy Worldwide +1.315.451.3440 | jrclancy.com | 7041 Interstate Island Road | Syracuse | NY 13209